



# PENGUIN PRODUCT RANGE



**PENGUIN**



PP Compression Fittings



PP Compression Fittings C/W Brass Threaded Insert



PP Compression Stop Tap



Flange Adaptor



PP Clamp Saddle



PP Thermoplastic Ferrule



PP Threaded Fittings



Tools & Accessories

## 04 Product Specification & Standard Reference

### Material Composition

- 05 . PP Compression Fittings . PP Compression Fittings c/w Brass Threaded Insert
- 06 . PP Thermoplastic Ferrule . PP Clamp Saddles . PP Threaded Fittings .

### PP Compression Fittings

- 07 . Male Threaded Adaptor [M.T.A.]  
    . Female Threaded Adaptor [F.T.A.]
- 08 . End Cap [E.C.] . Straight Coupler [S.C.]
- 09 . Reducing Coupler [R.C.] . Female Tee [F.T.]
- 10 . Male Tee [M.T.] . Equal Tee [E.T.]
- 11 . Reducing Tee [R.T.] . Male Elbow [M.E.]
- 12 . Female Elbow [F.E.] . Equal Elbow [E.E.]
- 13 . PP Compression Stop Tap

## 14 Flange Adaptor



# CONTENTS

## 15 PP Compression Fittings

- . Male Adaptor C/W Brass Threaded Insert [BMTA]
- . Female Adaptor C/W Brass Threaded Insert [BFTA]
- . Female Elbow C/W Brass Threaded Insert [BFE]

## 16 PP Compression Fittings

- . Male Elbow C/W Brass Threaded Insert [ BME]
- . Female Tee C/W Brass Threaded Insert [ BFT]
- . Male Tee C/W Brass Threaded Insert [BMT]



## 17 PP Thermoplastic Ferrule

## 18 PP Clamp Saddle

- . Clamp Saddle (C.S) (Galvanised) Bolt & Nut [C.S.]

## 19 PP Clamp Saddle

- . Double Outlet Saddle (D.O.S) (Galvanised) Bolt & Nut [D.O.S.]



### PP Threaded Fittings

- 20 . Nipple & R.Nipple . Bush . Plug . Tank Connector .
- 21 . Straight Coupler . Reducing Coupler . Equal Tee .
- 22 . Reducing Tee . Reducing Elbow (90°) . Equal Elbow (90°)



# CONTENTS

- 23** Tools & Accessories  
. Universal Mechanical Tapping Tool



- 24** Tools & Accessories  
. Allen Key . Universal Strap Wrench .

## Installation Method For PP Compression Fittings

- 25 Clinching Ring Type (20mm to 110mm)
- 26 Push Fit Type (20mm to 32mm)
- 27 Clip Ring Type (40mm to 110mm)

- 28** Installation Method For  
PP Clamp Saddle /  
PP Thermoplastic Ferrule





**PENGUIN**

## **PRODUCT SPECIFICATION & STANDARD REFERENCE**

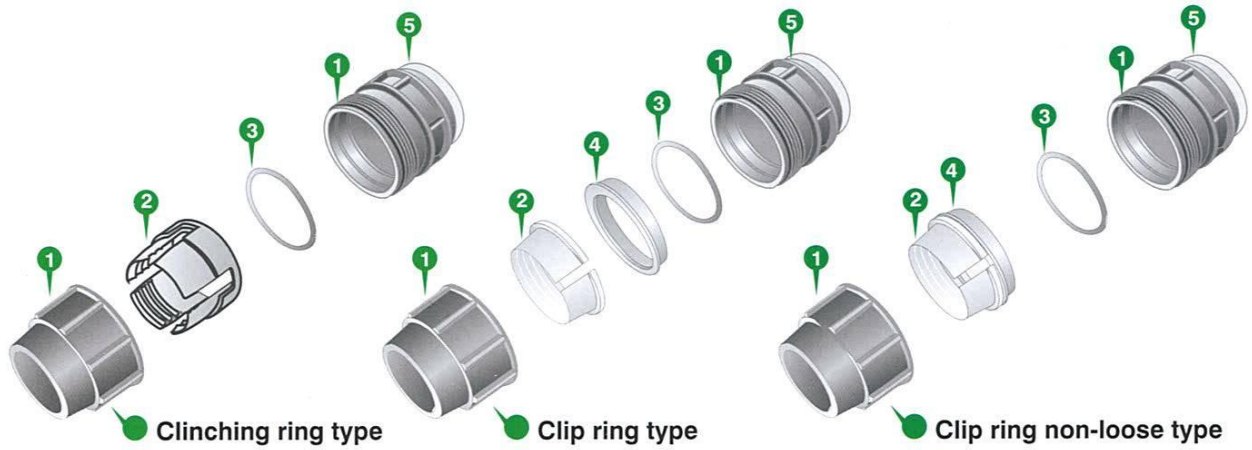
<b>PRODUCT DESCRIPTION</b>	<b>SIZE (mm)</b>	<b>MAXIMUM OPERATING PRESSURE (PN) AT TEMPERATURE 20°C</b>	<b>REFERENCE STANDARD</b>
PP Compression Fittings	20mm - 63mm	16	BS 5114
	75mm - 110mm	10	
PP Compression Fittings c/w Brass Threaded Insert	20mm - 50mm	16	BS 5114
PP Thermoplastic Ferrule	All available sizes	16	JKR 20200-0055-99
PP Clamp Saddle	25mm - 160mm	10	BS 21, ISO 7 (Threaded Outlet)
	180mm - 250mm	8	
PP Threaded Fittings	3/8" - 2"	10 (Except Female Threaded Fittings is PN8)	BS 21, ISO 7

### **[ APPROVALS ]**

Penguin PP Compression Fittings in accordance to BS 5114 : 1975, certification no: PP015502 are approved and recognized by:

- \* SIRIM QAS International Sdn. Bhd. in Malaysia.
- \* State Water Authorities in Malaysia.
- \* LUWA (Local Water Utilities Administration) in the Republic of the Philippines.
- \* JASWIC (Joint Acceptance Scheme for Water Installation Complements) in the Republic of South Africa.
- \* Suruhanjaya Perkhidmatan Air Negara (SPAN) in Malaysia.

## PP COMPRESSION FITTINGS



### [ MATERIAL COMPOSITION ]

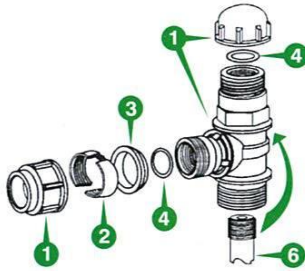
#### PP Compression Fittings

1. **Body & nut**  
(PP) High Performance Polypropylene.
2. **Clinching / Clip ring**  
Polyacetal.
3. **Rubber O' ring**  
(NBR) nitrile butadiene rubber /  
(EPDM) Ethylene Propylene Rubber.
4. **Pusher (If applicable)**  
(PP) High Performance Polypropylene
5. **Ring cap (If applicable)**  
Stainless steel 304 or equivalent.

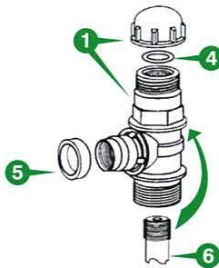
#### PP Compression Fittings c/w Brass Threaded Insert

1. **Body & nut**  
(PP) High Performance Polypropylene.
2. **Clinching / Clip ring**  
Polyacetal.
3. **Rubber O' ring**  
(NBR) nitrile butadiene rubber /  
(EPDM) Ethylene Propylene Rubber.
4. **Pusher (If applicable)**  
(PP) High Performance Polypropylene
5. **Ring cap**  
Stainless steel 304 or equivalent.
6. **Insert**  
BSP nickel plated brass

## PP COMPRESSION FITTINGS



for PE Pipes Connection



for Threaded Connection

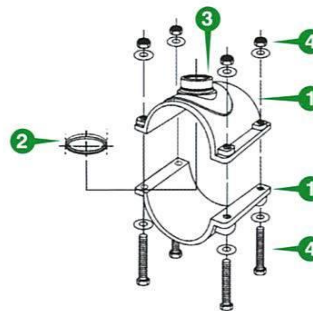
### [ MATERIAL COMPOSITION ]

#### PP Thermoplastic Ferrule

1. **Body, cap & nut**  
(PP) High Performance Polypropylene
2. **Clinching / Clip ring**  
Polyacetal
3. **Pusher (If applicable)**  
(PP) High Performance Polypropylene
4. **Rubber O' ring**  
(NBR) nitrile butadiene rubber /  
(EPDM) Ethylene Propylene Rubber
5. **Ring cap**  
Stainless Steel 304 or equivalent
6. **Cutter**  
Carbon steel, zinc plated / Stainless Steel

#### PP Clamp Saddles

1. **Body**  
(PP) High Performance Polypropylene
2. **Rubber O' ring / Gasket**  
(NBR) nitrile butadiene rubber
3. **Ring cap**  
Stainless Steel 304 or equivalent
4. **Bolt, nuts & washer**  
Galvanised or Stainless Steel 304/316 (optional)



#### PP Threaded Fittings

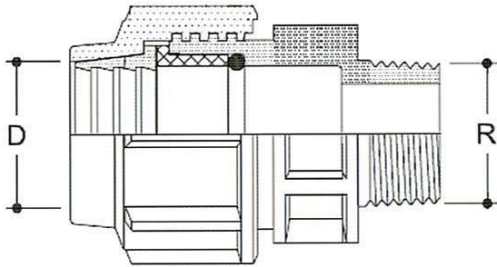
**Material**  
(PP) High Performance Polypropylene



PENGUIN

## PP COMPRESSION FITTINGS

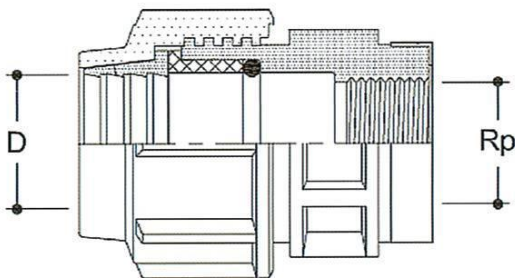
### Male Threaded Adaptor [ M.T.A. ]



SIZE D(mm) x R(inch)	STANDARD PACK	
	NOS / BAG	NOS / CARTON
20 mm x 1/2"	500	500
20 mm x 3/4"	500	500
25 mm x 1/2"	300	300
25 mm x 3/4"	300	300
25 mm x 1"	300	300
32 mm x 1/2"	200	200
32 mm x 3/4"	200	200
32 mm x 1"	200	200
40 mm x 1"	120	120
40 mm x 1 1/4"	120	120
40 mm x 1 1/2"	120	120
50 mm x 1 1/4"	80	80
50 mm x 1 1/2"	80	80
50 mm x 2"	80	80
63 mm x 2"	50	50
75 mm x 2"	25	25
75 mm x 2 1/2"	25	25
90 mm x 3"	20	20
110 mm x 4"	15	9

\* BSP Taper Male Threaded

### Female Threaded Adaptor [ F.T.A. ]



SIZE D(mm) x Rp(inch)	STANDARD PACK	
	NOS / BAG	NOS / CARTON
20 mm x 1/2"	400	400
20 mm x 3/4"	400	400
25 mm x 1/2"	250	250
25 mm x 3/4"	250	250
25 mm x 1"	250	250
32 mm x 3/4"	180	180
* 32 mm x 1"	180	180
* 40 mm x 1"	100	100
* 40 mm x 1 1/4"	100	100
* 40 mm x 1 1/2"	100	100
* 50 mm x 1 1/4"	60	60
* 50 mm x 1 1/2"	60	60
* 63 mm x 2"	40	40
* 75 mm x 2"	25	25
* 75 mm x 2 1/2"	25	25
* 90 mm x 3"	20	20
110 mm x 4"	15	9

\* Come With Reinforced Stainless Steel Ring Cap

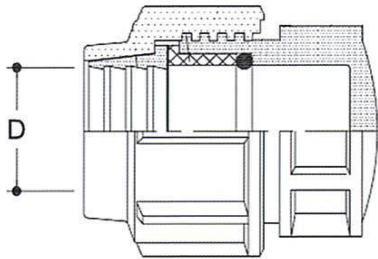
\* BSP Parallel Female Threaded





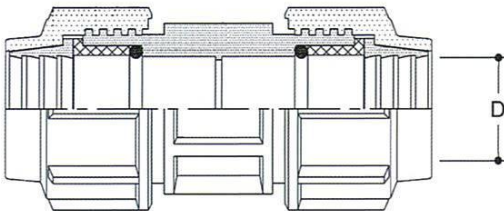
PENGUIN

## PP COMPRESSION FITTINGS



### End Cap [ E.C. ]

SIZE D(mm)	STANDARD PACK	
	NOS / BAG	NOS / CARTON
20 mm	500	500
25 mm	300	300
32 mm	200	200
40 mm	120	120
50 mm	80	80
63 mm	50	50
75 mm	25	25
90 mm	20	20
100 mm	16	12



### Straight Coupler [ S.C. ]

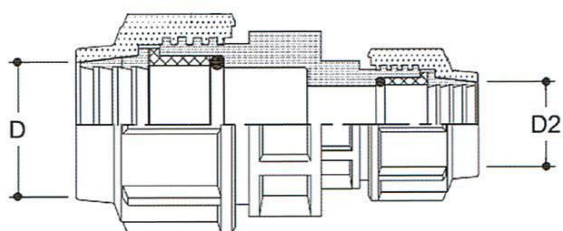
SIZE D(mm)	STANDARD PACK	
	NOS / BAG	NOS / CARTON
20mm x 20 mm	250	250
25mm x 25 mm	180	180
27mm x 27 mm	180	180
32mm x 32 mm	120	120
40mm x 40 mm	80	60
50mm x 50 mm	50	40
63mm x 63 mm	30	30
75mm x 75 mm	20	16
90mm x 90 mm	15	9
110mm x110 mm	8	6



PENGUIN

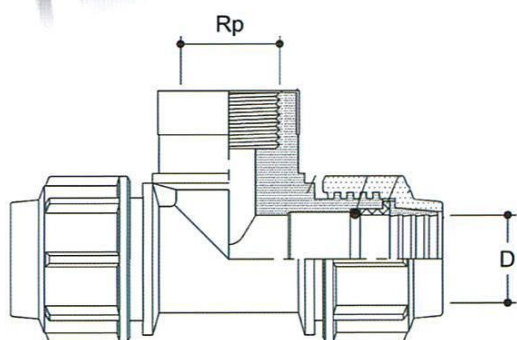
## PP COMPRESSION FITTINGS

### Reducing Coupler [ R.C. ]



SIZE D(mm) x D2(inch)	STANDARD PACK	
	NOS / BAG	NOS / CARTON
25 mm x 20 mm	200	200
27 mm x 25 mm	180	180
32 mm x 20 mm	150	150
32 mm x 25 mm	150	150
40 mm x 20 mm	100	100
40 mm x 25 mm	100	100
40 mm x 32 mm	100	80
50 mm x 20 mm	60	60
50 mm x 25 mm	60	60
50 mm x 32 mm	60	60
50 mm x 40 mm	60	50
63 mm x 25 mm	40	35
63 mm x 32 mm	40	35
63 mm x 40 mm	40	35
63 mm x 50 mm	35	30
75 mm x 50 mm	20	16
75 mm x 63 mm	20	16
90 mm x 63 mm	20	12
90 mm x 75 mm	15	12
110 mm x 90 mm	10	6

### Female Tee [ F.T. ]



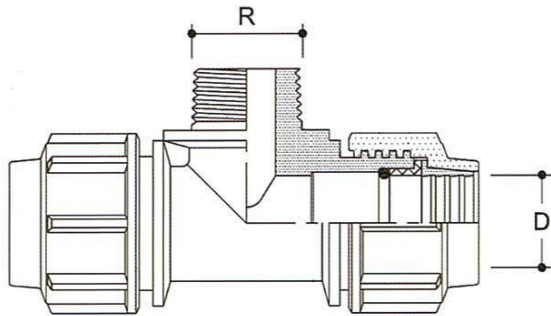
SIZE D(mm) x Rp(inch)	STANDARD PACK	
	NOS / BAG	NOS / CARTON
20 mm x 1/2"	180	180
20 mm x 3/4"	180	180
25 mm x 1/2"	120	120
25 mm x 3/4"	120	120
25 mm x 1"	120	120
32 mm x 1/2"	90	90
32 mm x 3/4"	90	90
32 mm x 1"	90	90
* 40 mm x 1"	50	50
* 40 mm x 1 1/4"	50	50
* 40 mm x 1 1/2"	50	50
* 50 mm x 1 1/4"	30	30
* 50 mm x 1 1/2"	30	30
* 63 mm x 2"	20	15
* 75 mm x 2"	15	9
* 75 mm x 2 1/2"	15	9
* 90 mm x 3"	10	8
* 110 mm x 3"	5	3
* 110 mm x 4"	5	3

\* Come With Reinforced Stainless Steel Ring Cap  
 \* BSP Parallel Female Threaded



PENGUIN

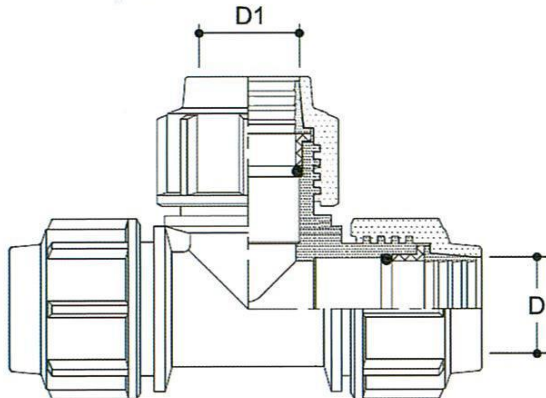
## PP COMPRESSION FITTINGS



Male Tee [ **M.T.** ]

SIZE D(mm) x R(inch)	STANDARD PACK	
	NOS / BAG	NOS / CARTON
20 mm x 1/2"	180	180
20 mm x 3/4"	180	180
25 mm x 1/2"	120	120
25 mm x 3/4"	120	120
25 mm x 1"	120	120
32 mm x 3/4"	90	90
32 mm x 1"	90	90
40 mm x 1"	50	50
40 mm x 1 1/4"	50	50
50 mm x 1 1/4"	30	30
50 mm x 1 1/2"	30	30
63 mm x 2"	20	15
75 mm x 2"	15	9
75 mm x 2 1/2"	15	9
90 mm x 3"	10	8
110 mm x 3"	5	3
110 mm x 4"	5	3

\* BSP Taper Male Threaded

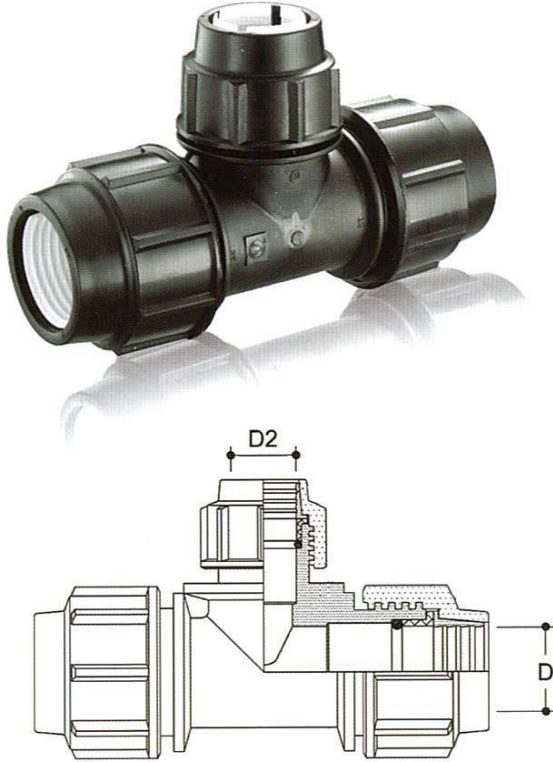


Equal Tee [ **E.T.** ]

SIZE D(mm) x D1(mm)	STANDARD PACK	
	NOS / BAG	NOS / CARTON
20 mm x 20 mm	150	150
25 mm x 25 mm	100	100
32 mm x 32 mm	60	60
40 mm x 40 mm	40	40
50 mm x 50 mm	25	25
63 mm x 63 mm	20	16
75 mm x 75 mm	12	8
90 mm x 90 mm	8	6
110 mm x 110 mm	5	3

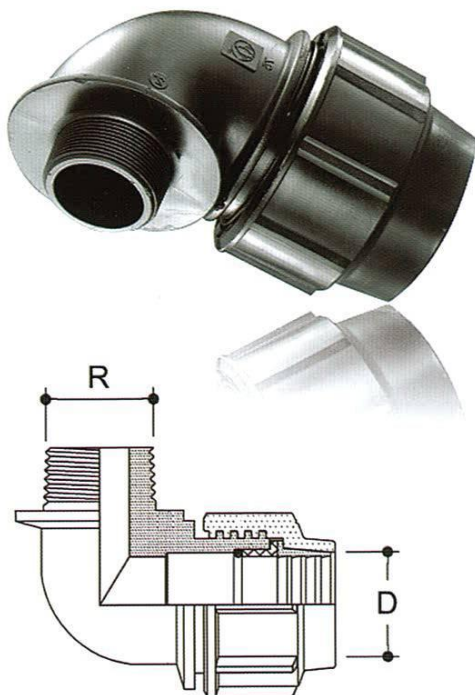
## PP COMPRESSION FITTINGS

### Reducing Tee [ R.T. ]



SIZE D(mm) x D2(mm)	STANDARD PACK	
	NOS / BAG	NOS / CARTON
25 mm x 20 mm	100	100
32 mm x 20 mm	75	70
32 mm x 25 mm	75	70
40 mm x 25 mm	40	40
40 mm x 32 mm	40	40
50 mm x 20 mm	30	25
50 mm x 25 mm	30	25
50 mm x 32 mm	30	25
50 mm x 40 mm	30	25
63 mm x 32 mm	20	16
63 mm x 40 mm	20	16
63 mm x 50 mm	20	16
75 mm x 50 mm	12	8
75 mm x 63 mm	12	8
90 mm x 63 mm	8	6
90 mm x 75 mm	8	6
110 mm x 63 mm	5	3
110 mm x 75 mm	5	3
110 mm x 90 mm	5	3

### Male Elbow [ M.E. ]



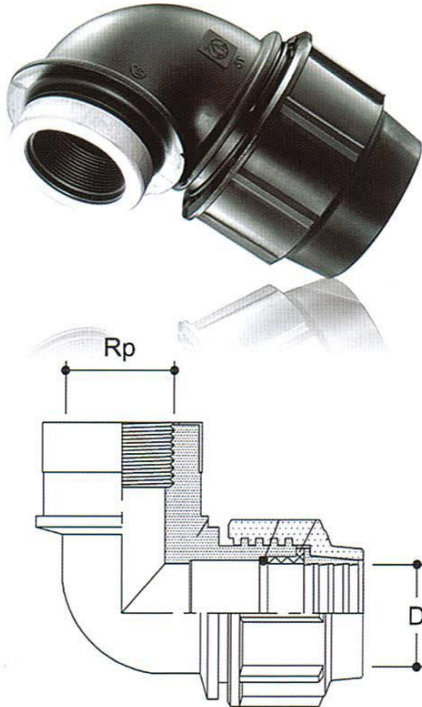
SIZE D(mm) x R(inch)	STANDARD PACK	
	NOS / BAG	NOS / CARTON
20 mm x 1/2"	300	300
20 mm x 3/4"	300	300
25 mm x 1/2"	250	250
25 mm x 3/4"	250	250
25 mm x 1"	200	200
32 mm x 3/4"	150	150
32 mm x 1"	150	150
40 mm x 1"	100	100
40 mm x 1 1/4"	100	100
40 mm x 1 1/2"	100	100
50 mm x 1 1/4"	60	60
50 mm x 1 1/2"	60	60
63 mm x 2"	35	28
75 mm x 2"	25	15
75 mm x 2 1/2"	25	15
90 mm x 3"	16	12
110 mm x 3"	10	6
110 mm x 4"	10	6

\*BSP Taper Male Threaded



PENGUIN

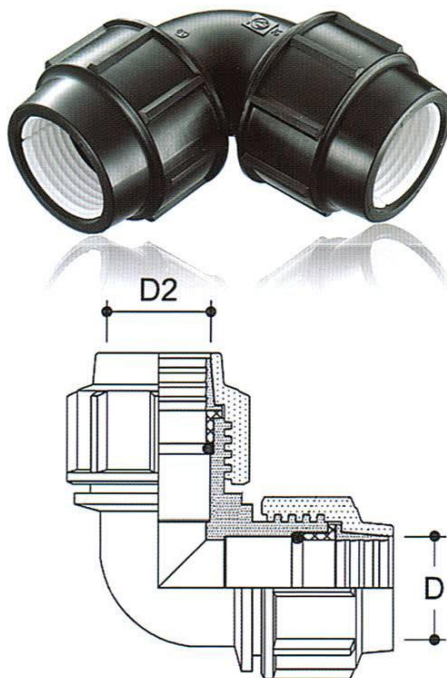
## PP COMPRESSION FITTINGS



### Female Elbow [ F.E. ]

SIZE D(mm) x Rp(inch)	STANDARD PACK	
	NOS / BAG	NOS / CARTON
20 mm x 1/2"	300	300
20 mm x 3/4"	300	300
25 mm x 1/2"	250	250
25 mm x 3/4"	250	250
25 mm x 1"	200	200
32 mm x 3/4"	150	150
32 mm x 1"	150	150
* 40 mm x 1"	100	100
* 40 mm x 1 1/4"	100	100
* 40 mm x 1 1/2"	100	100
* 50 mm x 1 1/4"	60	60
* 50 mm x 1 1/2"	60	60
* 63 mm x 2"	35	28
* 75 mm x 2"	25	15
* 75 mm x 2 1/2"	25	15
* 90 mm x 3"	16	12
* 110 mm x 3"	10	6
* 110 mm x 4"	10	6

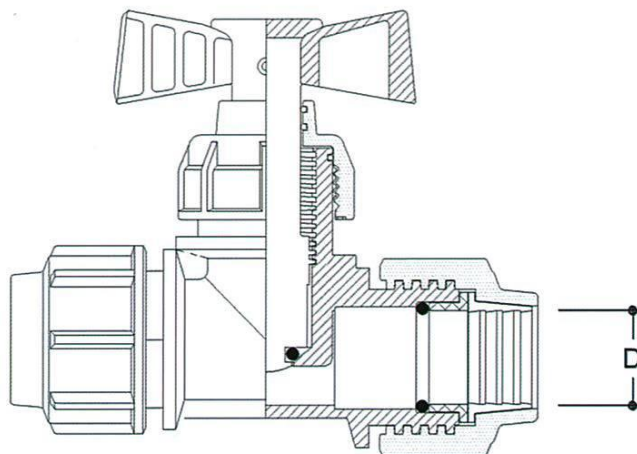
\* Come With Reinforced Stainless Steel Ring Cap  
\* BSP Parallel Female Threaded



### Equal Elbow [ E.E. ]

SIZE D(mm) x D2(mm)	STANDARD PACK	
	NOS / BAG	NOS / CARTON
20 mm x 20 mm	250	250
25 mm x 25 mm	150	150
32 mm x 32 mm	100	100
40 mm x 40 mm	60	60
50 mm x 50 mm	40	40
63 mm x 63 mm	25	20
75 mm x 75 mm	16	12
90 mm x 90 mm	12	9
110 mm x 110 mm	8	5

## PP COMPRESSION STOP TAP



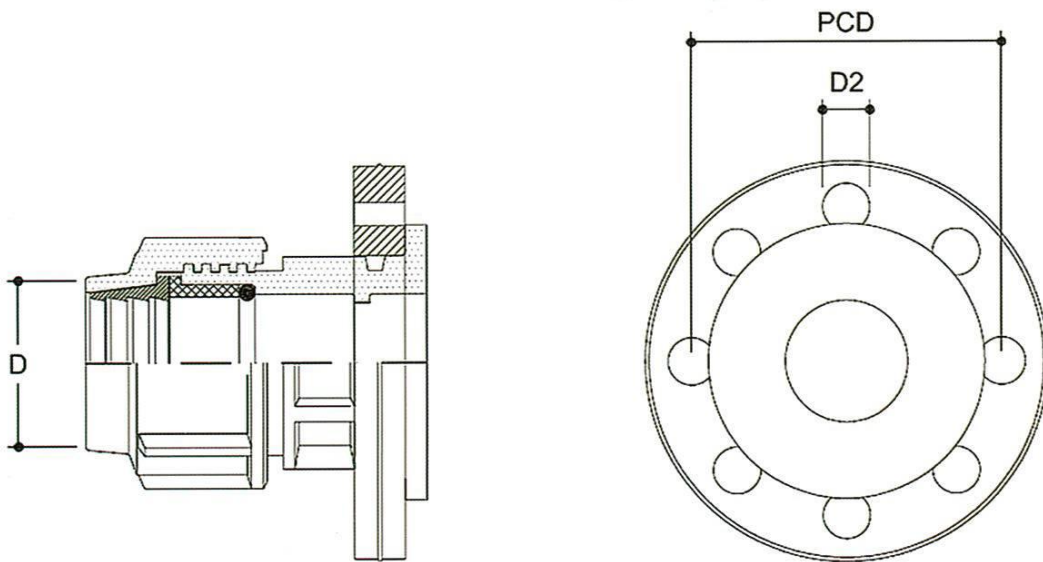
PP Compression Stop Tap

SIZE D(mm)	STANDARD PACK	
	NOS / SMALL BAG	NOS / STANDARD
20 mm x 20 mm	100	100
25 mm x 25 mm	100	100
32 mm x 32 mm	60	60



PENGUIN

## FLANGE ADAPTOR



Flange Adaptor

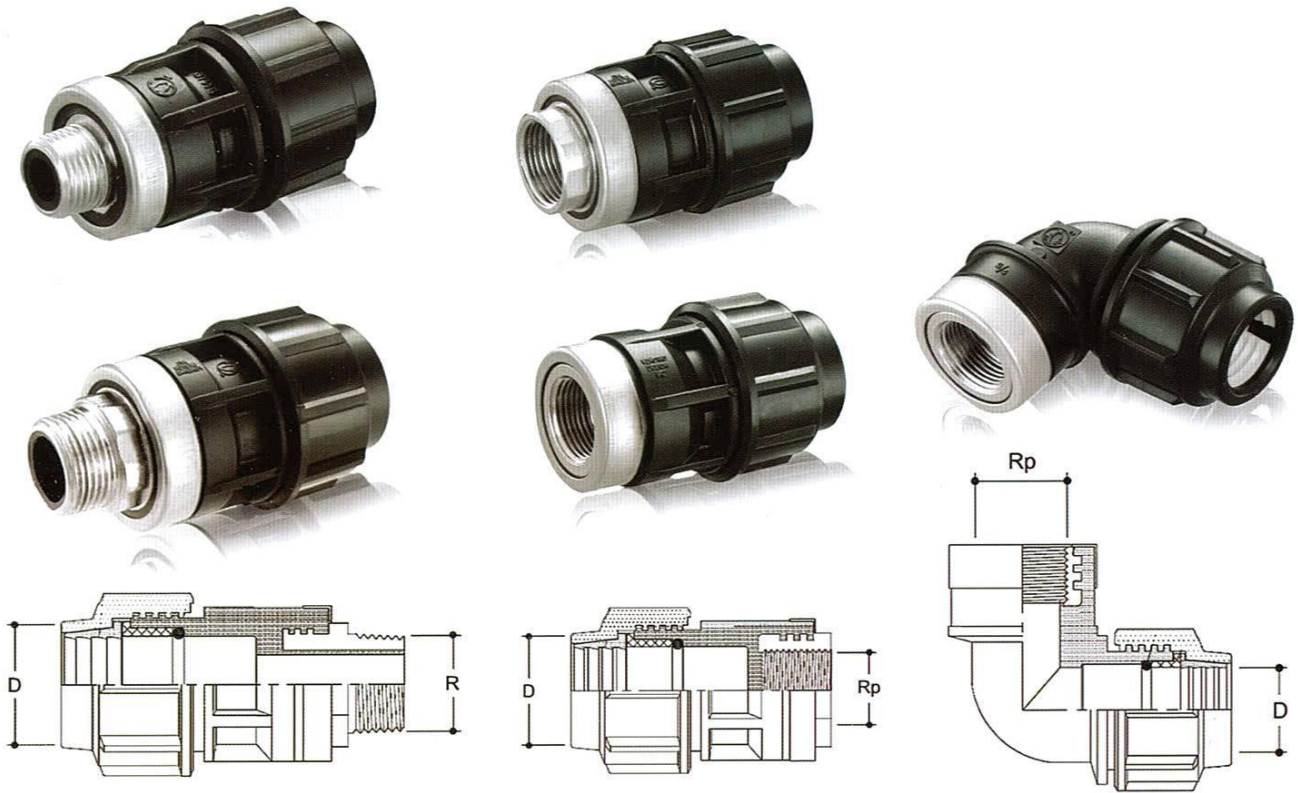
SIZE D(mm)	STANDARD PACK		LOOSE BACKING FLANGES						
			MATERIAL			PITCH CIRCLE DIAMETER (mm)	BOLTS		
	NOS / BAG	NOS / CARTON	PP	PE	MILD STEEL		BOLT HOLE DIAMETER (mm)	NUMBER	SCREW THREAD
63 mm	7	7	PN 6	-	PN 10	125	18	4	M 16
75 mm	6	6	PN 6	-	PN 10	145	18	4	M 16
90 mm	5	5	PN 6	-	PN 10	160	18	8	M 16
110 mm	5	4	PN 4	PN 10	PN 10	180	18	8	M 16

\*With optional PP, MS, PE Flange



## PP COMPRESSION FITTINGS

BSP Nickel Plated Brass Threaded Insert & Reinforced Stainless Steel Ring Cap



Male Adaptor C/W  
Brass Threaded  
Insert

[ BMTA ]

SIZE D(mm) x Rp(inch)	STANDARD PACK
	NOS / CARTON
20 mm x 1/2"	150
20 mm x 3/4"	150
25 mm x 1/2"	100
25 mm x 3/4"	100
25 mm x 1"	80
32 mm x 3/4"	60
32 mm x 1"	60
40mm x 1 1/4"	30
50mm x 1 1/2"	30

Female Adaptor  
C/W Brass  
Threaded Insert

[ BFTA ]

SIZE D(mm) x Rp(inch)	STANDARD PACK
	NOS / CARTON
20 mm x 1/2"	150
20 mm x 3/4"	150
25 mm x 1/2"	100
25 mm x 3/4"	100
25 mm x 1"	80
32 mm x 3/4"	60
32 mm x 1"	60
40mm x 1 1/4"	30
50mm x 1 1/2"	30

Female Elbow  
C/W Brass  
Threaded Insert

[ BFE ]

SIZE D(mm) x Rp(inch)	STANDARD PACK
	NOS / CARTON
20 mm x 1/2"	100
20 mm x 3/4"	100
25 mm x 1/2"	80
25 mm x 3/4"	80
25 m x 1"	80
32 mm x 3/4"	40
32 m x 1"	40

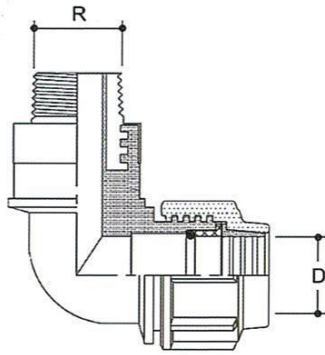




**PENGUIN**

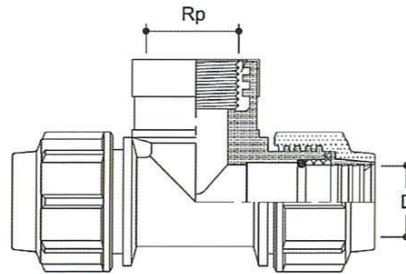
**PP COMPRESSION FITTINGS**

BSP Nickel Plated Brass Threaded Insert & Reinforced Stainless Steel Ring Cap



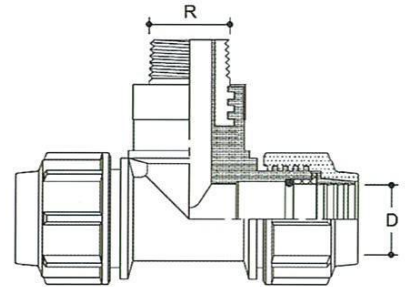
Male Elbow C/W  
Brass Threaded  
Insert [ **BME** ]

SIZE D(mm) x R(inch)	STANDARD PACK
	NOS / CARTON
20 mm x 1/2"	100
20 mm x 3/4"	100
25 mm x 1/2"	80
25 mm x 3/4"	80
25 mm x 1"	40
32 mm x 3/4"	40
32 mm x 1"	40



Female Tee C/W  
Brass Threaded  
Insert [ **BFT** ]

SIZE D(mm) x Rp(inch)	STANDARD PACK
	NOS / CARTON
20 mm x 1/2"	60
20 mm x 3/4"	60
25 mm x 1/2"	40
25 mm x 3/4"	40
25 mm x 1"	40
32 mm x 3/4"	20
32 mm x 1"	20



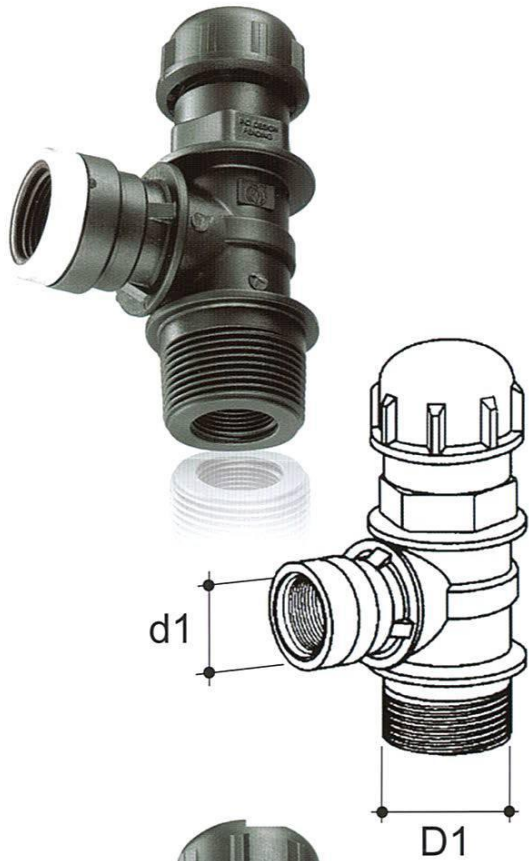
Male Tee C/W  
Brass Threaded  
Insert [ **BMT** ]

SIZE D(mm) x R(inch)	STANDARD PACK
	NOS / CARTON
20 mm x 1/2"	60
20 mm x 3/4"	60
25 mm x 1/2"	40
25 mm x 3/4"	40
25 mm x 1"	40
32 mm x 3/4"	20
32 mm x 1"	20



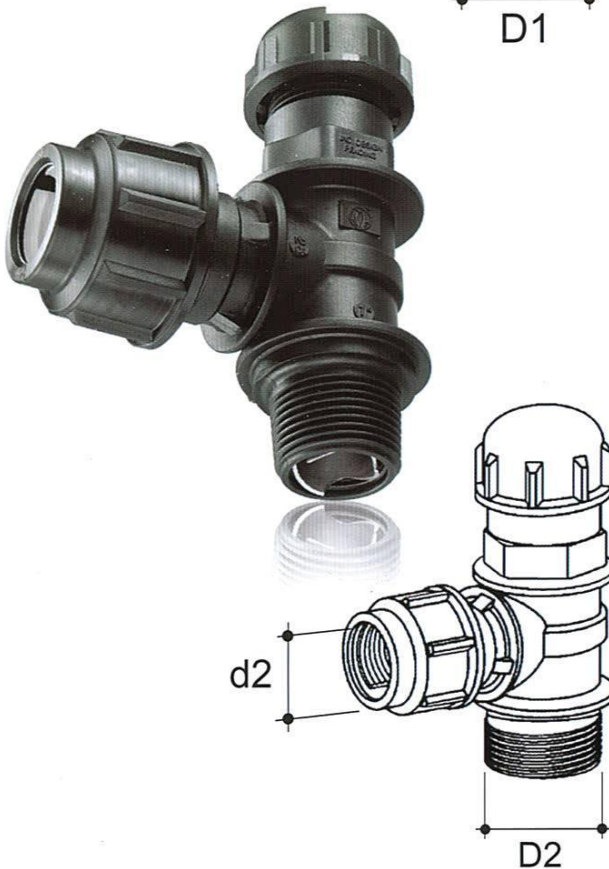
## PP Thermoplastic Ferrule

(C/W Carbon Steel Cutter or Stainless Steel Cutter) BSP Threaded



For Threaded Connection

SIZE D1(inch) x d1(inch)	STANDARD PACK	
	NOS / BAG	NOS / CARTON
1" x 1/2"	50	100
1" x 3/4"	50	100
1" x 1"	50	100
1 1/4" x 1/2"	50	100
1 1/4" x 3/4"	50	100
1 1/4" x 1"	50	100



For PE Pipes Connection

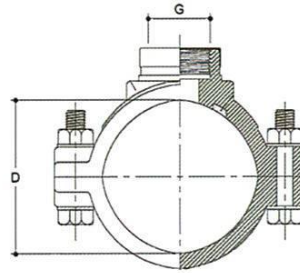
SIZE D2(inch) x d2(inch)	STANDARD PACK	
	NOS / BAG	NOS / CARTON
1" x 20 mm	50	100
1" x 25 mm	50	100
1" x 32 mm	50	100
1 1/4" x 20 mm	50	100
1 1/4" x 25 mm	50	100
1 1/4" x 32 mm	50	100



**PENGUIN**

# PP CLAMP SADDLE

( Mechanical Type ) with reinforced ring, Rubber O' ring and Rubber Gasket



Clamp Saddle (C.S)  
(Galvanised) Bolt & Nut  
**[ C.S. ]**

\*BSP Parallel Female Threaded

SIZE D(mm) x G(inch)	NO BOLT & NUTS	STANDARD PACK	
		SETS / BAG	NOS / CARTON
25 mm x 1/2"	2	300	300
25 mm x 3/4"	2	300	300
32 mm x 3/8"	2	200	200
32 mm x 1/2"	2	200	200
32 mm x 3/4"	2	200	200
32 mm x 1"	2	200	200
40 mm x 3/8"	2	150	150
40 mm x 1/2"	2	150	150
40 mm x 3/4"	2	150	150
40 mm x 1"	2	150	150
50 mm x 3/8"	2	150	150
50 mm x 1/2"	2	150	150
50 mm x 3/4"	2	150	150
50 mm x 1"	2	150	150
63 mm x 3/8"	4	100	100
63 mm x 1/2"	4	100	100
63 mm x 3/4"	4	100	100
63 mm x 1"	4	100	100
63 mm x 1 1/4"	4	100	100
75 mm x 1/2"	4	60	60
75 mm x 3/4"	4	60	60
75 mm x 1"	4	60	60
75 mm x 1 1/4"	4	60	60
75 mm x 1 1/2"	4	60	60
90 mm x 3/8"	4	60	50
90 mm x 1/2"	4	60	50
90 mm x 3/4"	4	60	50
90 mm x 1"	4	60	50
90 mm x 1 1/4"	4	60	50
90 mm x 1 1/2"	4	60	50
90 mm x 2"	4	60	50
110 mm x 3/8"	4	30	40
110 mm x 1/2"	4	30	40
110 mm x 3/4"	4	30	40
110 mm x 1"	4	30	40
110 mm x 1 1/4"	4	30	40
110 mm x 1 1/2"	4	30	40
110 mm x 2"	4	30	40
125 mm x 3/8"	4	25	30
125 mm x 1/2"	4	25	30
125 mm x 3/4"	4	25	30

SIZE D(mm) x G(inch)	NO BOLT & NUTS	STANDARD PACK	
		SETS / BAG	NOS / CARTON
125 mm x 1"	4	25	30
125 mm x 1 1/4"	4	25	30
125 mm x 1 1/2"	4	25	30
125 mm x 2"	4	25	30
140 mm x 3/8"	6	20	20
140 mm x 1/2"	6	20	20
140 mm x 3/4"	6	20	20
140 mm x 1"	6	20	20
140 mm x 1 1/4"	6	20	20
140 mm x 1 1/2"	6	20	20
140 mm x 2"	6	20	20
160 mm x 3/8"	6	15	20
160 mm x 1/2"	6	15	20
160 mm x 3/4"	6	15	20
160 mm x 1"	6	15	20
160 mm x 1 1/4"	6	15	20
160 mm x 1 1/2"	6	15	20
160 mm x 2"	6	15	20
180 mm x 3/8"	6	12	12
180 mm x 1/2"	6	12	12
180 mm x 3/4"	6	12	12
180 mm x 1"	6	12	12
180 mm x 1 1/2"	6	12	12
180 mm x 1 1/4"	6	12	12
180 mm x 2"	6	12	12
200 mm x 3/4"	6	8	8
200 mm x 1"	6	8	8
200 mm x 1 1/4"	6	8	8
200 mm x 1 1/2"	6	8	8
200 mm x 2"	6	8	8
200 mm x 3"	6	8	8
225 mm x 3/8"	6	8	8
225 mm x 1/2"	6	8	8
225 mm x 3/4"	6	8	8
225 mm x 1"	6	8	8
225 mm x 1 1/4"	6	8	8
225 mm x 1 1/2"	6	8	8
225 mm x 2"	6	8	8
225 mm x 3"	6	8	8
250 mm x 3/4"	8	4	4
250 mm x 1"	8	4	4
250 mm x 1 1/2"	8	4	4
250 mm x 2"	8	4	4
250 mm x 3"	8	4	4

\*NPT Thread & Stainless Steel Bolt & Nut upon request

\*25 -63mm : Rubber O'Ring

\*75-250mm : Rubber Gasket and Reinforced Stainless Steel Ring Cap  
(except 3/8" no Stainless Steel Ring Cap)



**PENGUIN**

## PP CLAMP SADDLE

( Mechanical Type ) with reinforced Ring and O' ring / Gasket



Double Outlet Saddle (D.O.S.)  
(Galvanised) Bolt & Nut

**[ D.O.S. ]**

\*BSP Parallel Female Threaded

SIZE D(mm) x G(inch)	ANY COMBINATION
25 mm x 1/2"	1/2" , 3/4"
25 mm x 3/4"	
32 mm x 3/8"	3/8" , 1/2" , 3/4" , 1"
32 mm x 1/2"	
32 mm x 3/4"	
32 mm x 1"	
40 mm x 1/2"	1/2" , 3/4" , 1"
40 mm x 3/4"	
40 mm x 1"	3/8" , 1/2" , 3/4" , 1"
50 mm x 3/8"	
50 mm x 1/2"	
50 mm x 3/4"	
50 mm x 1"	3/8" , 1/2" , 3/4" , 1" , 1 1/4"
63 mm x 3/8"	
63 mm x 1/2"	
63 mm x 3/4"	
63 mm x 1"	1/2" , 3/4" , 1" , 1 1/4" , 1 1/2"
63 mm x 1 1/4"	
75 mm x 1/2"	
75 mm x 3/4"	
75 mm x 1"	3/8" , 1/2" , 3/4" , 1" , 1 1/4" , 1 1/2" , 2"
75 mm x 1 1/4"	
75 mm x 1 1/2"	
90 mm x 3/8"	
90 mm x 1/2"	3/8" , 1/2" , 3/4" , 1" , 1 1/4" , 1 1/2" , 2"
90 mm x 3/4"	
90 mm x 1"	
90 mm x 1 1/4"	
90 mm x 1 1/2"	3/8" , 1/2" , 3/4" , 1" , 1 1/4" , 1 1/2" , 2"
90 mm x 2"	
110 mm x 3/8"	
110 mm x 1/2"	
110 mm x 3/4"	3/8" , 1/2" , 3/4" , 1" , 1 1/4" , 1 1/2" , 2"
110 mm x 1"	
110 mm x 1 1/4"	
110 mm x 1 1/2"	
110 mm x 2"	3/8" , 1/2" , 3/4" , 1" , 1 1/4" , 1 1/2" , 2" , 3"
125 mm x 3/8"	
125 mm x 1/2"	
125 mm x 3/4"	
125 mm x 1"	3/8" , 1/2" , 3/4" , 1" , 2"
125 mm x 2"	

SIZE D(mm) x G(inch)	ANY COMBINATION
140 mm x 3/8"	3/8" , 1/2" , 3/4" , 1" , 1 1/4" , 1 1/2" , 2"
140 mm x 1/2"	
140 mm x 3/4"	
140 mm x 1"	
140 mm x 1 1/4"	3/8" , 1/2" , 3/4" , 1" , 1 1/4" , 1 1/2" , 2"
140 mm x 1 1/2"	
140 mm x 2"	
160 mm x 3/8"	
160 mm x 1/2"	3/8" , 1/2" , 3/4" , 1" , 1 1/4" , 1 1/2" , 2"
160 mm x 3/4"	
160 mm x 1"	
160 mm x 1 1/4"	
160 mm x 1 1/2"	3/8" , 1/2" , 3/4" , 1" , 1 1/4" , 1 1/2" , 2"
160 mm x 2"	
180 mm x 3/8"	
180 mm x 1/2"	
180 mm x 3/4"	3/8" , 1/2" , 3/4" , 1" , 1 1/4" , 1 1/2" , 2"
180 mm x 1"	
180 mm x 1 1/2"	
180 mm x 1 1/4"	
180 mm x 2"	3/4" , 1" , 1 1/4" , 1 1/2" , 2" , 3"
200 mm x 3/4"	
200 mm x 1"	
200 mm x 1 1/4"	
200 mm x 1 1/2"	3/8" , 1/2" , 3/4" , 1" , 1 1/4" , 1 1/2" , 2" , 3"
200 mm x 2"	
200 mm x 3"	
225 mm x 3/8"	
225 mm x 1/2"	3/8" , 1/2" , 3/4" , 1" , 1 1/4" , 1 1/2" , 2" , 3"
225 mm x 3/4"	
225 mm x 1"	
225 mm x 1 1/4"	
225 mm x 1 1/2"	3/4" , 1" , 1 1/2" , 2" , 3"
225 mm x 2"	
225 mm x 3"	
250 mm x 3/4"	
250 mm x 1"	3/4" , 1" , 1 1/2" , 2" , 3"
250 mm x 1 1/2"	
250 mm x 2"	
250 mm x 3"	

\*NPT Thread & Stainless Steel Bolt & Nut upon request

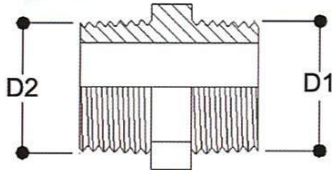
\*25 -63mm : Rubber O'Ring

\*75-250mm : Rubber Gasket and Reinforced Stainless Steel Ring Cap (except 3/8" no Stainless Steel Ring Cap)

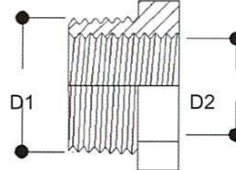


**PENGUIN**

## PP THREADED FITTINGS



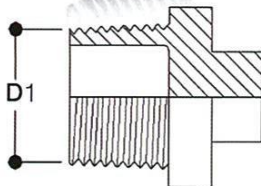
**NIPPLE &  
R. NIPPLE**



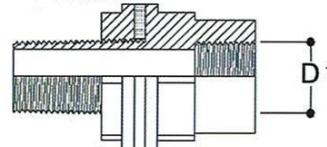
**BUSH**

SIZE D1 (inch) x D2 (inch)	STANDARD PACK	
	NOS / SMALL BAG	NOS / STANDARD BAG
3/8" x 3/8"	500	5000
1/2" x 1/2"	200	2000
3/4" x 1/2"	200	1200
3/4" x 3/4"	200	1200
1" x 3/4"	100	600
1" x 1"	100	600
1 1/2" x 1"	100	300
1 1/2" x 1 1/2"	100	300
2" x 1 1/2"	50	200
2" x 2"	50	200

SIZE D1 (inch) x D2 (inch)	STANDARD PACK	
	NOS / SMALL BAG	NOS / STANDARD BAG
1/2" x 3/8"	200	2000
3/4" x 1/2"	200	2000
1" x 3/4"	200	1200
1 1/4" x 3/4"	200	1200
1 1/4" x 1"	200	1200
1 1/2" x 1"	150	600
2" x 1"	100	300
2" x 1 1/2"	100	300



**PLUG**



**TANK  
CONNECTOR**  
\*BSP Threaded  
(suitable for all  
water tank)

SIZE D1 (inch)	STANDARD PACK	
	NOS / SMALL BAG	NOS / STANDARD BAG
3/8"	500	5000

SIZE D1 (inch)	STANDARD PACK		
	NOS / SMALL BAG	NOS / STANDARD BAG	NOS / CARTON
1/2"	100 nos	400	400
3/4"	50 nos	300	300
1"	40 nos	120	120
1 1/4"	20 nos	100	80
1 1/2"	20 nos	80	60
2"	10 nos	50	40

# PP THREADED FITTINGS

[ Female Threaded ]

\*BSP Threaded



## STRAIGHT COUPLER

SIZE D(inch)	STANDARD PACK	
	NOS / SMALL BAG	NOS / STANDARD BAG
1/2" x 1/2"	100	800
3/4" x 3/4"	50	400
1" x 1"	50	400



## REDUCING COUPLER

SIZE D(inch)	STANDARD PACK	
	NOS / SMALL BAG	NOS / STANDARD BAG
1/2" x 3/4"	100	700
3/4" x 1"	50	400



## EQUAL TEE

SIZE D(inch)	STANDARD PACK	
	NOS / SMALL BAG	NOS / STANDARD BAG
1/2" x 1/2" x 1/2"	100	400
3/4" x 3/4" x 3/4"	100	300
1" x 1" x 1"	50	200

# PP THREADED FITTINGS

[ Female Threaded ]

\*BSP Threaded



REDUCING TEE

SIZE D(inch)	STANDARD PACK	
	NOS / SMALL BAG	NOS / STANDARD BAG
3/4" x 1/2" x 3/4"	100	300
1" x 1/2" x 1"	50	200
1" x 3/4" x 1"	50	200



REDUCING ELBOW (90°)

SIZE D(inch)	STANDARD PACK	
	NOS / SMALL BAG	NOS / STANDARD BAG
1/2" x 3/4"	100	500
3/4" x 1"	100	400



EQUAL ELBOW (90°)

SIZE D(inch)	STANDARD PACK	
	NOS / SMALL BAG	NOS / STANDARD BAG
1/2" x 1/2"	100	800
3/4" x 3/4"	100	500
1" x 1"	50	250



**PENGUIN**

## TOOLS AND ACCESSORIES



### Universal Mechanical Tapping Tool

Come With drillsaw 1/2", 3/4", 1"

SIZE DRILLSAW

1/2", 3/4", 1"



### [ TOOLS ]

1. Drill (Body)
2. Drillsaw
3. Extractor Ratchet
4. Socket
5. Stainless Steel Adaptor (1/2", 3/4", 1")

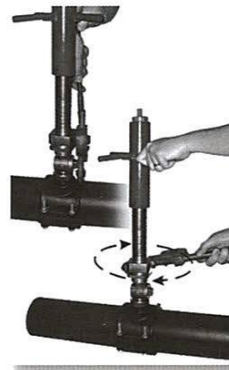
### [ STEP 1 - Mounting The Saddle ]

Fasten the saddle with bolts and nuts. Fit the ferrule onto the saddle.



### [ STEP 2 - Pre-Installation ]

Make sure the cock built in the ferrule is correctly open, and all screws are tight before setting the drill.



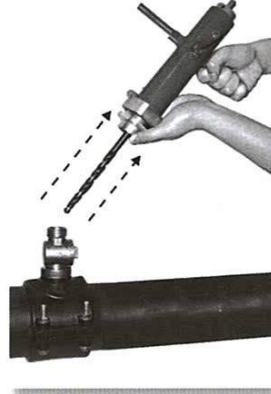
### [ STEP 3 - Drilling ]

Turn the drill handle until the drillsaw reaches the pipe surface. When the drill reaches the pipe, slow down the feed. Give an additional feed of about 1cm after the drill seems to have passed through the pipe wall, to finish the drilled hole. After drilling, reverse the handle to raise the drill.



### [ STEP 4 - Completion ]

After raising the drill close the ferrule.

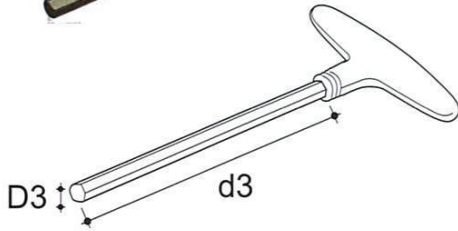






**PENGUIN**

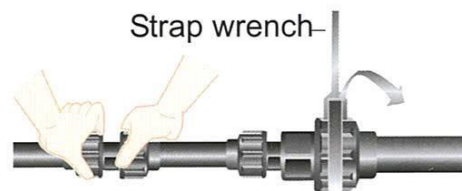
## **TOOLS AND ACCESSORIES**



### **Allen Key**

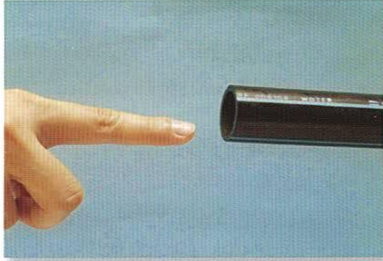
D3 x d3	
10mm	170mm

### **Universal Strap Wrench**



## INSTALLATION METHOD FOR PP COMPRESSION FITTINGS

Clinching Ring Type ( 20mm to 110mm )



**[ 1 ]** Cut the PE pipe, ensure it is even and flat.



**[ 5 ]** Ensure clinching ring & 'O'ring are fully inserted into the body fitting.



**[ 2 ]** Unscrew locking nut from the fitting.



**[ 6 ]** Fully screw the locking nut by hand for sizes up to 32mm.



**[ 3 ]** Take out Locking Nut, Clinching Ring & 'O'ring from the fitting body.



**[ 7 ]** For sizes larger than 32mm, the use of a chain/strap wrench is recommended.



**[ 4 ]** Insert locking nut, and followed by the clinching ring onto the pipe. Align the 'O' ring onto the pipe end and insert along the pipe axis of the fitting body.



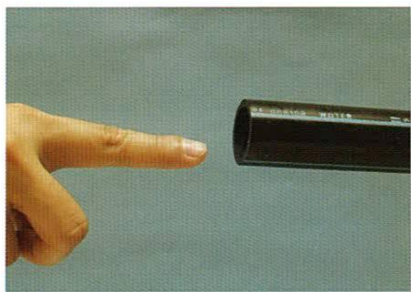
**[ 8 ]** The compression joint process is complete, once the locking nut is fully tightened.



**PENGUIN**

## INSTALLATION METHOD FOR PP COMPRESSION FITTINGS

Push Fit Type ( 20mm to 32mm )



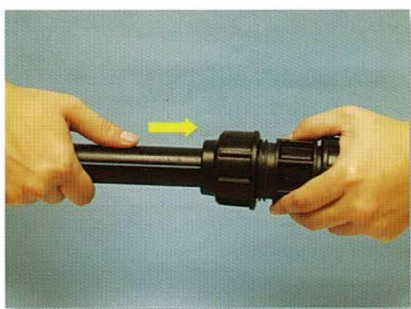
**[ 1 ]**

Cut the PE pipe, ensure it is even and flat.



**[ 2 ]**

Slacken locking nut halfway without removing it from the fitting body. Ensure the clip ring, pusher and O'ring are in proper position. Unscrew locking nut from fitting.



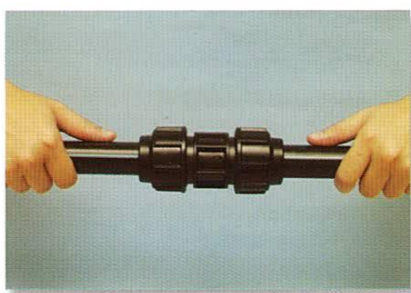
**[ 3 ]**

Insert the pipe end into the locking nut. Push the fitting until the pipe goes through the O'ring and reaches the inner stopper.



**[ 4 ]**

Hand tighten the locking nut follow by tighten further with strap wrench if necessary.



**[ 5 ]**

Repeat the same steps with the other side of fitting and now the compression joint are done.

## INSTALLATION METHOD FOR PP COMPRESSION FITTINGS

Clip Ring Type ( 40mm to 110mm )



- [ 1 ]** Unscrew locking nut from the fitting body by hand.



- [ 2 ]** Remove the Locking nut, Clip Ring, Pusher & O-ring from the fitting body.



- [ 3 ]** Insert Locking nut, Pusher and O-ring onto the PE pipe. Omit the use of Clip ring at this stage.



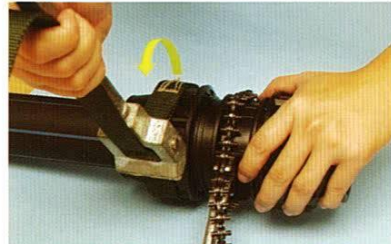
- [ 4 ]** Insert the pipe complete with Pusher & O-ring into the fitting body until it reaches the inner stopper. Then, using the pusher, push the O-ring till it touches the fitting body.



- [ 5 ]** Push the locking nut into place & tighten the locking nut with a chain/strap wrench in order to push & secure the O-ring into the right position. Once, the O-ring and pusher is securely in position. Unscrew the locking nut again.



- [ 6 ]** Pull back locking nut until the PE pipe is visible, place the clip ring as shown onto the pipe, slide clip ring towards the position of the pusher.

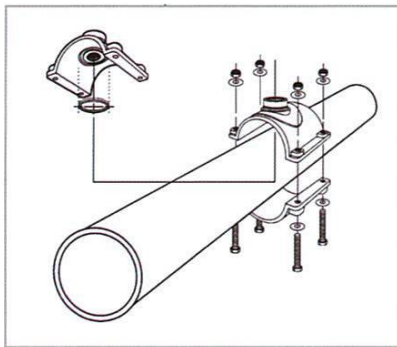
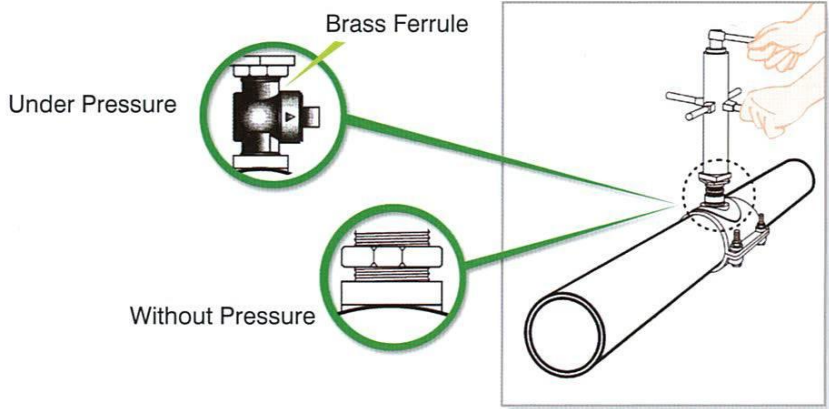


- [ 7 ]** Slide locking nut over the clip ring and tighten with chain/strap wrench.



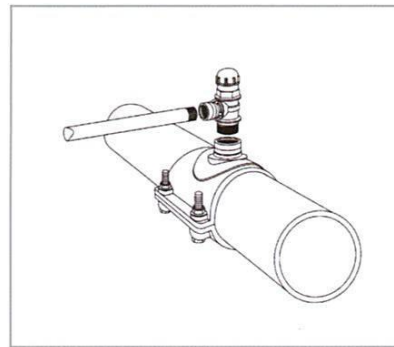
- [ 8 ]** The compression joint process is complete upon secured tightening.

## INSTALLATION METHOD FOR PP CLAMP SADDLE / PP THERMOPLASTIC FERRULE

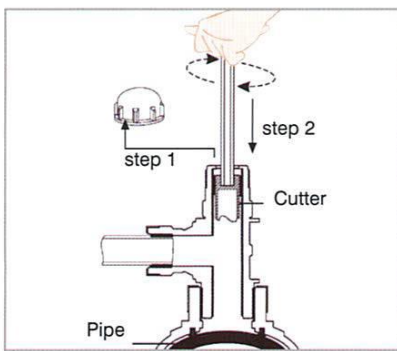


**[ STEP 1 ]**  
Installation of  
Clamp Saddle

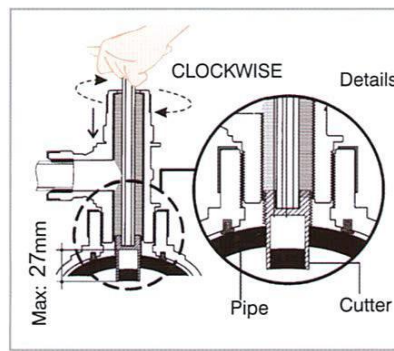
REMARK:  
For size 32mm -  
125mm & 160mm,  
Hexagon bolt  
head no need  
washer



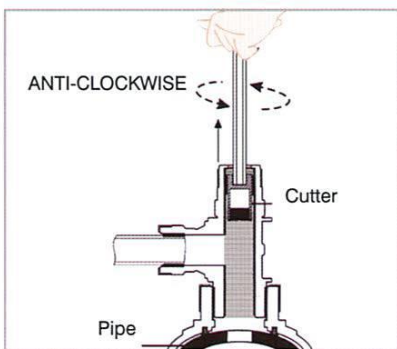
**[ STEP 2 ]**  
Ensure the Ferrule is  
fitted before connecting  
pipe



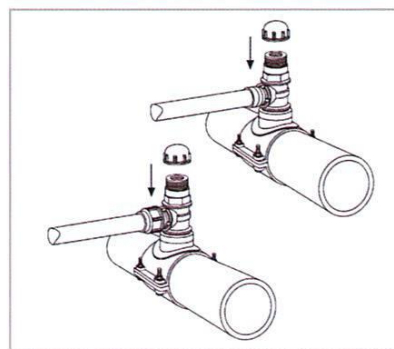
**[ STEP 3 ]**  
Turn the cutter  
with allen key



**[ STEP 4 ]**  
Boring Max  
Torque: 40 Nm



**[ STEP 5 ]**  
Removal



**[ STEP 6 ]**  
Completion



## Your Satisfaction, Our Aspiration

---



**Polyware Sdn. Bhd.** (408370-M)  
(Manufacturing)  
7, Jalan Zarib 1, Zarib Industrial Park,  
31500 Ipoh, Perak, Malaysia.

Tel (605) 323 2788  
Fax (605) 322 9236 | 322 9237

[www.polyware.com.my](http://www.polyware.com.my)

*General Information*  
[polyware@polyware.com.my](mailto:polyware@polyware.com.my)

*Sales & Enquiry*  
[salesenquiry@polyware.com.my](mailto:salesenquiry@polyware.com.my)



**KMB Trading Sdn. Bhd.** (408368-H)  
(Sales & Marketing Sister Company)  
6, Jalan Zarib 6, Zarib Industrial Park,  
31500 Ipoh, Perak, Malaysia.

Tel (605) 322 9239  
Fax (605) 328 1168 | 328 1169

[www.kmb.net.my](http://www.kmb.net.my)



Winner of the  
Export Excellence  
Award 2005